

## GW316-KLP Low Profile Knurled Threaded Insert

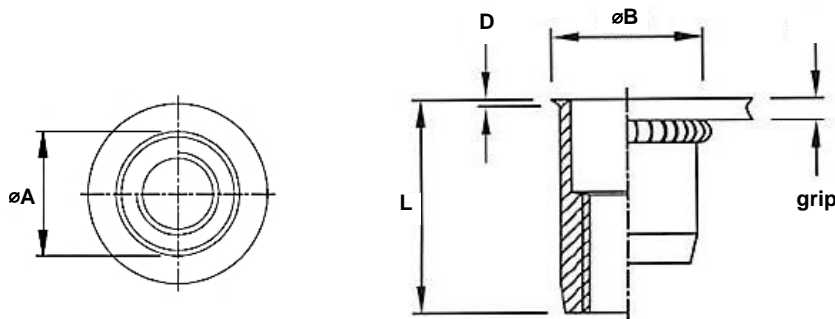
Stainless steel 316 · Low profile · Knurled · Open end  
M4 - M10

### Features

- Designed to provide load bearing threads in thin sheet materials
- Knurled body improves torque-to-turn resistance
- Low profile head allows near flush fit to application
- Extra high corrosion resistance
- Closed end version available on request

### Material

- Stainless steel 316



Part No.	Thread Size	Grip Range		Hole Size	øA	øB	D	L
		min.	max.	+0.1	-0.02/-0.15	-0.15 / +0.3	-0.05 / +0.3	±0.35
GW316-KLPM4-0520	M4	0.5	2.0	6.0	6.0	6.5	0.5	11.0
GW316-KLPM5-0530	M5	0.5	3.0	7.0	7.0	7.5	0.5	12.0
GW316-KLPM5-3050		3.0	5.0					15.0
GW316-KLPM6-0530	M6	0.5	3.0	9.0	9.0	9.5	0.5	14.5
GW316-KLPM8-0530	M8	0.5	3.0	11.0	11.0	11.5	0.5	16.0
GW316-KLPM8-3055		3.0	5.5					18.5
GW316-KLPM10-0835	M10	0.8	3.5	13.0	13.0	13.5	0.5	21.0

Thread Size	Max. torque	Pull-out	Torque-to-turn	Shear strength
	Nm max.	Kn	Nm	kN
M4	~7.1	> ~11.0	~2.6	~3.5
M5	> ~16.0	> ~14.5	~3.0	~4.8
M6	> ~22.0	> ~27.0	~6.8	~7.3
M8	> ~70.0	> ~40.0	~9.0	~9.0
M10	> ~70.0	> ~43.0	~13.0	~8.4